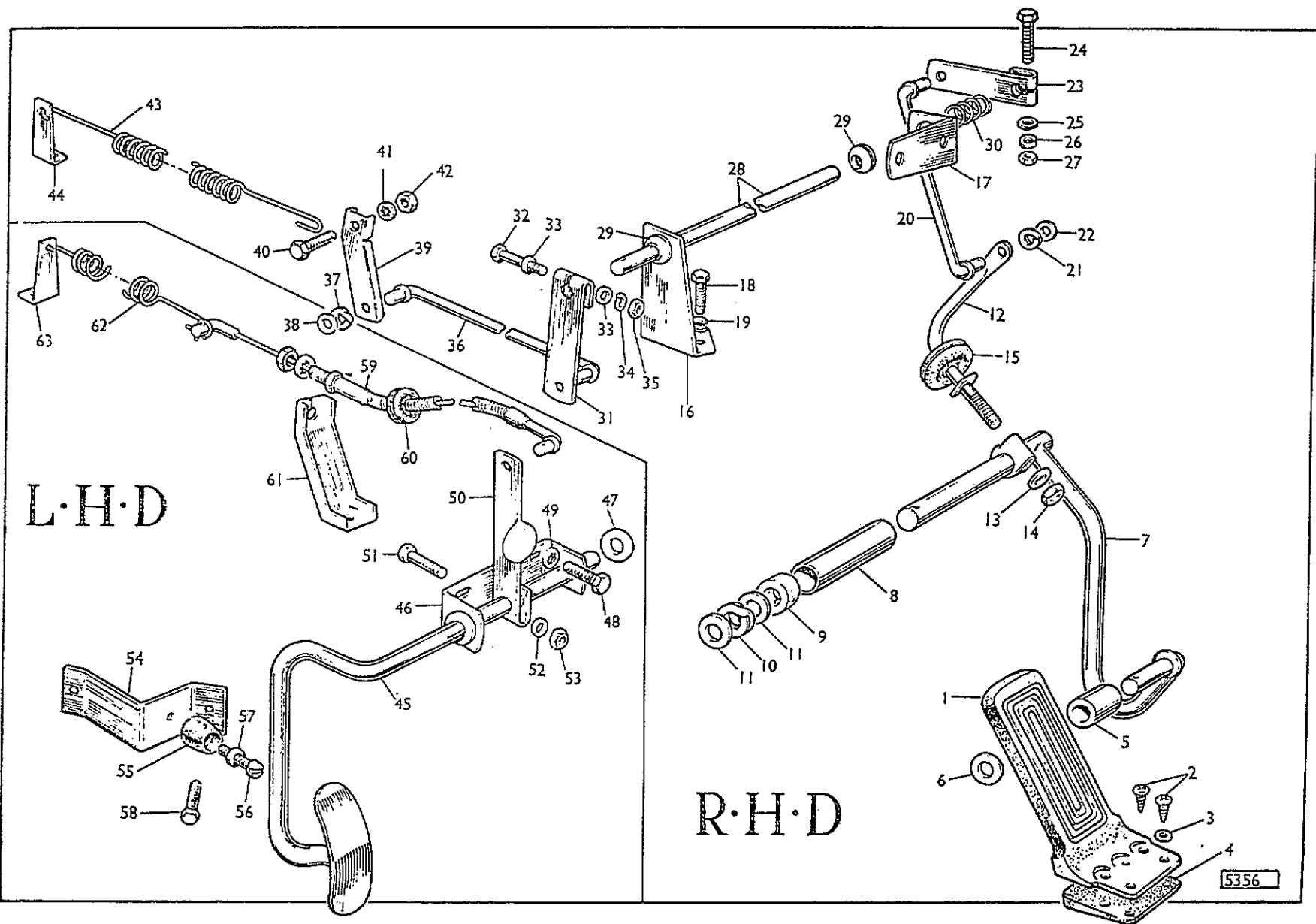


SECTION DF

CARBURETTOR CONTROLS

CARBURETTOR CONTROLS



L·H·D

R·H·D

5356

SECTION DF

2nd Issue

CARBURETTOR CONTROLS

Plate Ref.	Rootes Part Number	Ford Part Number	DESCRIPTION	No. per Veh.	REMARKS
ACCELERATOR (R.H.D.)					
1	1206352		ACCELERATOR PEDAL	1	
2	9775089		Tapping screw, No. 12 × 1/4"	2	
3	9067017		Washer, No. 12 plain	2	
	9772086		Tapping screw, No. 6 × 1/2"	A/R	
4	1228282		Packing piece (rubber)	1	
5	1215191		Roller—Accelerator	1	
6	9067034		Washer, 3/8" plain—Roller	2	
7	1229828		ACCELERATOR CROSS SHAFT ASSEMBLY	1	
8	1200356		Distance piece—Cross shaft	1	
9	9120051		Washer, felt	1	
10	9086011		Washer, 1/2" spring	1	
11	9067056		Washer, 1/2" plain	2	
12	1200455		Operating lever	1	
13	9067023		Washer, 3/8" plain	1	
14	9552053		Nut, 3/8" U.N.F., Nyloc	1	
15	1045489		Grommet—Operating lever	1	
16	1229840		Mounting bracket—Cross shaft to engine (motor)	1	
17	1229841		Mounting bracket—Cross shaft to bulkhead	1	
18	19605041		Screw, 3/8" U.N.F. × 1/2"	2	
19	5200485		Washer, 3/8" spring	2	
20	1229838		Control rod—Operating lever	1	
21	9662122		Washer, 3/8" spring	2	
22	9067008		Washer, 3/8" plain	2	
23	1229830		Lever—Carb to cross shaft	1	
24	19503081		Screw, No. 10 U.N.F. × 1"	1	
25	9067009		Washer, 3/8" plain	1	
26	9660122		Washer, 3/8" spring	1	
27	5220700		Nut, No. 10 U.N.F.	1	
28	1229831		CROSS SHAFT	1	
29	1229832		Bearing—Cross shaft	2	
	9067034		Washer, 3/8" plain	2	
30	1229833		Compression spring	1	
31	1229834		Lever—Cross shaft to operating lever	1	
32	19503081		Screw, No. 10 U.N.F. × 1"	1	
33	9067009		Washer, 3/8" plain	2	
34	9660122		Washer, 3/8" spring	1	
35	5220700		Nut, No. 10 U.N.F.	1	
36	1229835		Rod—Cross shaft to carb	1	
37	9662122		Washer, 3/8" spring	2	
38	9067008		Washer, 3/8" plain	2	
39	1229837		Adaptor—Carb lever	1	
40	19503051		Screw, No. 10 U.N.F. × 3/8"	1	
41	9663122		Washer, 3/8" snakeproof	1	
42	5220700		Nut, No. 10 U.N.F.	1	
43	1224891		Spring—Accelerator return	1	
44	1224854		Bracket—Accelerator spring anchorage	1	

CARBURETTOR CONTROLS

Plate Ref.	Rootes Part Number	Ford Part Number	DESCRIPTION	No. per Veh.	REMARKS
ACCELERATOR (L.H.D.)					
45	1224845		ACCELERATOR PEDAL	1	
46	1224849		Bearing bracket—Accelerator shaft	1	
47	9067036		Washer, $\frac{3}{8}$ " plain	1	Accelerator pedal ... to bearing bracket
			Split pin—Not supplied		
48	39313101		Screw, No. 10 UNF. $\times \frac{1}{2}$ " pan hd. cross recess	3	Accel. bearing bracket to ...
			Washer, $\frac{3}{8}$ " shakeproof		
49	9663122		Lever—Accelerator pedal shaft	3	firewall
50	1224821		Screw, No. 10 UNF. $\times 1"$	1	
51	19503081		Washer, $\frac{3}{8}$ " plain	2	Accelerator lever to pedal shaft
52	9067009		Washer, $\frac{3}{8}$ " spring		
	9660122		Nut, No. 10 UNF.	2	
53	5220700		Bracket—Accelerator stop	1	
54	1224708		Rubber buffer	1	
55	1224890		Screw, No. 10 UNF. $\times \frac{1}{4}$ " Pan hd. cross recess	1	Buffer to bracket
56	39313141		Washer, $\frac{3}{8}$ " plain		
57	9067009		Nut, No. 10 UNF.	1	
	5220700		Screw, No. 10 UNF. $\times \frac{1}{2}$ "	2	Accelerator stop bracket to firewall
	39313101		Washer, $\frac{3}{8}$ " shakeproof... ..		
	9663122		Screw, No. 10 UNF. $\times 1\frac{1}{4}"$	2	
58	19503101		Nut, No. 10 UNF.	1	Accelerator pedal lever stop ...
	5220700		Washer, $\frac{3}{8}$ " plain	1	
59	1224853		ACCELERATOR CABLE	1	
	9067009		Washer, $\frac{3}{8}$ " plain	2	
60	9118500		Grommet—Accelerator cable	1	
61	1224797		Abutment—Accelerator cable	1	
62	1224891		Spring—Accelerator return	1	
63	1224854		Bracket—Accelerator spring anchorage	1	