

SECTION AF

ENGINE (Motor)

ENGINE (Motor)

Plate Ref.	Rootes Part Number	Ford Part Number	DESCRIPTION	No. per Veh.	REMARKS
A1	6100503	C40Z-6009-B	CYLINDER ASSEMBLY	1	Includes items marked *
	6100502	C40Z-6010-B	*CYLINDER BLOCK (3.8" Bore)	1	
A2	6100548	73249-S	Dowel, $\frac{3}{8}$ " x $\frac{3}{8}$ "—Cylinder block to Clutch housing	2	
	6100549	376099-S	Plug, $\frac{1}{2}$ " (Rear cup type)—Cylinder block	1	
A3	6100511	B2A-6026-B	Plug, .270/.275" O.D. x 20" long (Acorn shaped)—Cylinder block (at Distributor boss)	1	
C4	6100567	C20Z-6345-A	Bolt—Main bearing caps, $\frac{1}{8}$ " x 3.15"	10	
	6100367	JB-6095-A	Cover—Petrol (Fuel) pump aperture	1	
	6100293	JB-9417-B	Gasket—Cover	1	
	6100561	20346-S8	Bolt, $\frac{3}{8}$ " x $\frac{1}{2}$ " Hex. head } Cover	2	
	6100562	34806-S7	Washer, $\frac{3}{8}$ " lock	2	
A5	6100151	C4AZ-6019-A	TIMING COVER	1	
A6	6100550	376258-S	Bolt, $\frac{1}{8}$ " x $3\frac{1}{8}$ " ... } Water pump and	3	
A7	6100551	376259-S	Bolt, $\frac{1}{8}$ " x $4\frac{1}{8}$ " Hex. } timing cover to block		
A8	6100552	376256-S	Bolt, $\frac{1}{8}$ " x 1" Hex. Washer hd. } Timing cover	5	
A9	6100553	376257-S	Bolt, $\frac{1}{8}$ " x 2" Hex. Washer hd. } to block	1	
A10	6100435	C40Z-6020-A	Gasket—Timing cover to block	1	
A11	6100216	C3AZ-6700-A	Oil seal—Timing cover	1	
	6100512	C20Z-6108-L	*PISTON ASSEMBLY—Solid—3 ring grooves, Standard Red. 3-7979"	8	
C12	6100513	C20Z-6108-M	Piston Assembly—Solid—3 ring grooves, .020" o/s	8	
	6100514	C20Z-6108-N	Piston Assembly—Solid—3 ring grooves, .030" o/s	8	
	6100515	C20Z-6108-R	Piston Assembly—Solid—3 ring grooves, .040" o/s	8	
	6100516	C20Z-6108-S	Piston Assembly—Solid—3 ring grooves, .060" o/s	8	
C13	6100517	B2AZ-6135-A	Gudgeon pin—Standard. Green, .9120"/.9123" O.D., .595"/.605" I.D. x 3.016"/3.030" long	8	
C14	6100518	B6AZ-6148-A	*Partial ring set—Piston—Hilo Standard,	4	Not supplied
	6100519	B6AZ-6148-B	Partial ring set—Piston—Hilo, .020" o/s } To re-	4	
	6100520	B6AZ-6148-C	Partial ring set—Piston—Hilo, .030" o/s } ring	4	
		B6AZ-6148-D	Partial ring set—Piston—Hilo, .040" o/s } 2 pistons	4	
C15	6100522	C2AZ-6148-B	Partial ring set—Piston—Hilo, .060" o/s	4	
	6100154	C3AZ-6200-D	*CONNECTING ROD ASSEMBLY	8	
C16	6100523	C20Z-6211-H	*BIG END BEARING—Standard Red—Size .0571"	16	
	6100524	C20Z-6211-J	*BIG END BEARING—Standard Blue—Size .0572"	16	
	6100525	C20Z-6211-C	Big End Bearing, .002" u/s	16	
	6100526	C20Z-6211-L	Big End Bearing, .010" u/s	16	
	6100527	C20Z-6211-M	Big End Bearing, .020" u/s	16	
	6100528	C20Z-6211-F	Big End Bearing, .030" u/s	16	
C17	6100530	C3AZ-6214-A	*Bolt, $\frac{3}{8}$ " x 2.08" } Connecting	16	
C18	6100529	C3DZ-6212-A	*Nut, $\frac{3}{8}$ " Hex. } rod	16	
			STANDARD MAIN BEARINGS—UPPER		
C19	6100175	C3AZ-6333-A	*Main Bearing—Standard Red, .0956" upper front	1	
C20	6100175	C3AZ-6333-A	*Main Bearing—Standard Red, .0956" upper front inter.	1	
C21	6100176	C3AZ-6337-A	*Main Bearing—Standard Red, .0956" upper centre	1	
C22	6100175	C3AZ-6333-A	*Main Bearing—Standard Red, .0956" upper rear inter.	1	
C23	6100175	C3AZ-6333-A	*Main Bearing—Standard Red, .0956" rear	1	
	6100177	C3AZ-6333-B	*Main Bearing—Standard Blue, .0960" upper front	1	
	6100177	C3AZ-6333-B	*Main Bearing—Standard Blue, .0960" upper front inter.	1	
	6100178	C3AZ-6337-B	*Main Bearing—Standard Blue, .0960" upper centre	1	
	6100177	C3AZ-6333-B	*Main Bearing—Standard Blue, .0960" upper rear inter.	1	
	6100177	C3AZ-6333-B	*Main Bearing—Standard Blue, .0960" upper rear	1	

ENGINE (Motor)

Plate Ref.	Rootes Part Number	Ford Part Number	DESCRIPTION	No. per Veh.	REMARKS
			UNDERSIZE MAIN BEARINGS—UPPER		
	6100179	C3AZ-6333-C	Main Bearing, -002" u/s, upper front	1	
	6100179	C3AZ-6333-C	Main Bearing, -002" u/s, upper front inter.	1	
	6100180	C3AZ-6337-C	Main Bearing, -002" u/s, upper centre	1	
	6100179	C3AZ-6333-C	Main Bearing, -002" u/s, upper rear inter.	1	
	6100179	C3AZ-6333-C	Main Bearing, -002" u/s, upper rear	1	
	6100181	C3AZ-6333-D	Main Bearing, -010" u/s, upper front	1	
	6100181	C3AZ-6333-D	Main Bearing, -010" u/s, upper front inter.	1	
	6100182	C3AZ-6337-D	Main Bearing, -010" u/s, upper centre	1	
	6100181	C3AZ-6333-D	Main Bearing, -010" u/s, upper rear inter.	1	
	6100181	C3AZ-6333-D	Main Bearing, -010" u/s, upper rear	1	
	6100183	C3AZ-6333-E	Main Bearing, -020" u/s, upper front	1	
	6100183	C3AZ-6333-E	Main Bearing, -020" u/s, upper front inter.	1	
	6100184	C3AZ-6337-E	Main Bearing, -020" u/s, upper centre	1	
	6100183	C3AZ-6333-E	Main Bearing, -020" u/s, upper rear inter.	1	
	6100183	C3AZ-6333-E	Main Bearing, -020" u/s, upper rear	1	
	6100185	C3AZ-6333-F	Main Bearing, -030" u/s, upper front	1	
	6100185	C3AZ-6333-F	Main Bearing, -030" u/s, upper front inter.	1	
	6100186	C3AZ-6337-F	Main Bearing, -030" u/s, upper centre,	1	
	6100185	C3AZ-6333-F	Main Bearing, -030" u/s, upper rear inter.	1	
	6100185	C3AZ-6333-F	Main Bearing, -030" u/s, upper rear	1	
			STANDARD MAIN BEARINGS—LOWER		
C24	6100187	C3AZ-6333-H	*Main Bearing—Standard Red, -0956", lower front	1	
C25	6100187	C3AZ-6333-H	*Main Bearing—Standard Red, -0956", lower front inter.	1	
C26	6100188	C3AZ-6337-H	*Main Bearing—Standard Red, -0956", lower centre	1	
C27	6100187	C3AZ-6333-H	*Main Bearing—Standard Red, -0956", lower rear inter.	1	
C28	6100187	C3AZ-6333-H	*Main Bearing—Standard Red, -0956", lower rear	1	
	6100189	C3AZ-6333-J	*Main Bearing—Standard Blue, -0960", lower front	1	
	6100189	C3AZ-6333-J	*Main Bearing—Standard Blue, -0960", lower front inter.	1	
	6100190	C3AZ-6337-J	*Main Bearing—Standard Blue, -0960", lower centre	1	
	6100189	C3AZ-6333-J	*Main Bearing—Standard Blue, -0960", lower rear inter.	1	
	6100189	C3AZ-6333-J	*Main Bearing—Standard Blue, -0960", lower rear	1	
			UNDERSIZE MAIN BEARINGS—LOWER		
	6100191	C3AZ-6333-K	Main Bearing, -002" u/s, lower front	1	
	6100191	C3AZ-6333-K	Main Bearing, -002" u/s, lower front inter.	1	
	6100192	C3AZ-6337-K	Main Bearing, -002" u/s, lower centre	1	
	6100191	C3AZ-6333-K	Main Bearing, -002" u/s, lower rear inter.	1	
	6100191	C3AZ-6333-K	Main Bearing, -002" u/s, lower rear	1	
	6100193	C3AZ-6333-L	Main Bearing, -010" u/s, lower front	1	
	6100193	C3AZ-6333-L	Main Bearing, -010" u/s, lower front inter.	1	
	6100194	C3AZ-6337-L	Main Bearing, -010" u/s, lower centre	1	
	6100193	C3AZ-6333-L	Main Bearing, -010" u/s, lower rear inter.	1	
	6100193	C3AZ-6333-L	Main Bearing, -010" u/s, lower rear	1	
	6100195	C3AZ-6333-M	Main Bearing, -020" u/s, lower front	1	
	6100195	C3AZ-6333-M	Main Bearing, -020" u/s, lower front inter.	1	
	6100196	C3AZ-6337-M	Main Bearing, -020" u/s, lower centre	1	
	6100195	C3AZ-6333-M	Main Bearing, -020" u/s, lower rear inter.	1	
	6100195	C3AZ-6333-M	Main Bearing, -020" u/s, lower rear	1	
	6100197	C3AZ-6333-N	Main Bearing, -030" u/s, lower front	1	
	6100197	C3AZ-6333-N	Main Bearing, -030" u/s, lower front inter.	1	
	6100198	C3AZ-6337-N	Main Bearing, -030" u/s, lower centre	1	
	6100197	C3AZ-6333-N	Main Bearing, -030" u/s, lower rear inter.	1	
	6100197	C3AZ-6333-N	Main Bearing, -030" u/s, lower rear	1	

ENGINE (Motor)

Plate Ref.	Rootes Part Number	Ford Part Number	DESCRIPTION	No. per Veh.	REMARKS
C29	6100156	C3AZ-6303-F	*CRANKSHAFT	1	
C30	6100157	C2OZ-6306-A	*Sprocket—Crankshaft (21 teeth)	1	
C31	6100565	372890-S	Key—Sprocket to crankshaft, ($\frac{3}{8}$ " \times 1.40")	1	
C32	6100158	C3OZ-6310-B	Oil slinger }	1	
C33	6100031	C4JZ-6312-A	Pulley } Crankshaft	1	
C34	6100174	C4OZ-6316-A	Damper }	1	
C35	6100501	20348-S8	Bolt, $\frac{3}{8}$ " \times .75" long } Pulley	3	
C36	6100566	34807-S	Washer—lock, $\frac{3}{8}$ " } to damper	3	
C37	6100536	B8A-6378-A	Washer—Crankshaft pulley or Damper retainer	1	
C38	6100666	359915-S	Bolt—Crankshaft pulley washer	1	
C39	6100139	C2OZ-6701-A	Seal—Crankshaft rear	2	
C40	6100442	C4OZ-6375-A	FLYWHEEL AND STARTER RING (Gear)	1	
C41	6100159	C2OZ-6384-A	Starter ring (Gear)—160 teeth—13.258" O.D.	1	
C42	6100568	B8A-6379-A	Bolt, $\frac{1}{8}$ " \times 1 $\frac{1}{8}$ "—Flywheel to crankshaft	6	
C43	6100441	C3OZ-6250-B	*CAMSHAFT, less gear	1	
	6100162	C2OZ-6A251-A	BEARING KIT—STANDARD	1	
C44	6100163	C2OZ-6261-A	*Bearing, front	1	
C45	6100166	C2OZ-6267-A	*Bearing, front intermediate	1	
C46	6100164	C2OZ-6262-A	*Bearing, centre	1	
C47	6100167	C2OZ-6270-A	*Bearing, rear intermediate	1	
C48	6100165	C2OZ-6263-A	*Bearing, rear	1	
	6100169	C2OZ-6261-B	Bearing, .015" u/s, front	1	} Camshaft
	6100170	C2OZ-6267-B	Bearing, .015" u/s, front intermediate	1	
	6100171	C2OZ-6262-B	Bearing, .015" u/s, centre	1	
	6100172	C2OZ-6270-B	Bearing, .015" u/s, rear intermediate	1	
	6100173	C2OZ-6263-B	Bearing, .015" u/s, rear	1	
C49	6100532	C2OZ-6266-A	Sealing disc—Rear bearing	1	
C50	6100168	C3OZ-6256-C	*Sprocket—42 teeth	1	
C51	6100531	C2OZ-6265-A	Spacer—Sprocket	1	
C52	6100533	C3OZ-6269-B	Thrust plate	1	
	6100563	20324-S8	Bolt, $\frac{1}{2}$ " \times $\frac{3}{8}$ " hex. head—Thrust plate to sprocket	2	
C53	6100564	375932-S	Screw, $\frac{1}{4}$ " \times $\frac{3}{8}$ "—Thrust plate to block	2	
C54	6100534	C2OZ-6278-A	Washer—Camshaft sprocket	1	
C55	6100535	C3AZ-6287-B	Eccentric—Camshaft fuel pump drive	1	
C56	6100671	376058-S	Bolt	1	} Sprocket
C57	6100566	34807-S	Washer—Spring } to camshaft	1	
C58	6100155	C2OZ-6268-A	TIMING CHAIN (58 links)	1	
A59	6100445	C2OZ-6600-A	OIL PUMP—Rotor type	1	
A60	6100137	C2OZ-6626-A	Gasket—Oil pump screen cover and inlet tube	1	
A61	6100138	C2OZ-6659-A	Gasket—Oil pump to block	1	
A62	6100446	B8A-6608-A	Rotor and shaft assembly—Oil pump drive	1	
A63	6100214	B8A-6616-C	Plate—Oil pump body	1	
A64	6100540	C2OZ-6A616-A	Plug	1	} Oil pump body relief valve
A65	6100495	C2OZ-6674-A	Plunger	1	
A66	6100494	C2OZ-6670-A	Spring	1	
A67	6100541	C2OZ-6A618-A	Shaft—7.44" long—Oil pump intermediate	1	
A68	6100542	B8A-6629-A	Retaining ring, .52" O.D.—6 prongs	1	
A69	6100437	C3OZ-6622-A	Screen, Tube and cover assy.—Oil pump	1	
A70	1224808		Oil level indicator (Dipstick)... ..	1	
A71	6100498	C2OZ-6754-A	Tube—Oil level indicator (Dipstick)	1	
			Bolt—Tube to cylinder head—See Dynamo (Generator) Section		

ENGINE (Motor)

Plate Ref.	Rootes Part Number	Ford Part Number	DESCRIPTION	No. per Veh.	REMARKS
A72	6100447	C3OZ-6675-A	SUMP (Oil pan) (Must be used with C3OZ-6622-A)	1	} Not supplied separately (Includes items marked *)
A73	6100497	C3AZ-6730-A	Drain plug—Sump (Oil pan)	1	
A74	6100143	C2OZ-6734-A	*Gasket—Drain plug (Nylon)	1	
A75		C2OE-6710-B	*Gasket, R.H. } Cork and rubber	1	
A76		C2OE-6711-B	*Gasket, L.H. } -09" thick	1	
AC77		C2OE-6723-A	*Seal—Front and rear (Rubber)	2	
	6100217	C2OZ-6781-A	Gasket set—Sump (Oil pan)	1	
D78	6100448	C1AZ-6731-A	OIL FILTER ELEMENT (With Gaskets)—Disposable "Spin on" type	1	
D79	1224768		Adaptor—Oil filter to hoses	1	
D80	1224730		Bolt, special	1	
D81	9078049		Joint washer } Adaptor	1	
D82	1224819		HOSE—Short } Oil filter	1	
D83	1224820		HOSE—Long } to engine (Motor)	1	
D84	1224767		Adaptor—Hoses to engine (Motor)	1	
D85	1224728		Gasket—Adaptor to engine (Motor)	1	
D86	1224729		Bolt, special	1	
D87	9078049		Joint washer } Adaptor	1	
D88	1224900		Mounting bracket—Oil filter	1	
	5220699		Screw, 3/8" U.N.C. x 1/2" hex. } Oil filter bracket	2	
	9661241		Spring washer, 3/8" } to engine (Motor)	2	
D89	1224753		Clamp—Oil filter mounting bracket	1	
	19505061		Screw, 1/8" U.N.F. x 1/2"	1	
	5200485		Spring washer, 1/8"	1	
	5220701		Nut, 1/8" U.N.F.	1	
B90	6100152	C4OZ-6049-A	CYLINDER HEAD	2	
B91	6100537	C2OZ-6A527-D	Stud, .003" o/s (2) .015" deep grooves—Valve rocker arm shaft support	16	
A92	6100510	C2OZ-6A008-A	Dowel, .676" O.D. x .44" long (split)—Cylinder head to block	4	
A93	6100359	376053-S	Plug, 1 1/8" O.D. cup type—Cylinder head end	2	
	6100360	370352-S	Plug—Cylinder head core holes	2	
AB94	6100134	C2OZ-6051-C	Gasket—Cylinder head to block	2	
B95	6100361	C2OZ-6065-A	Bolt, 1/8" x 2.26"/2.32" } Cylinder	10	
B96	6100362	C2OZ-6065-B	Bolt, 1/8" x 3.88"/3.94" } head	10	
			Temperature transmitter (As Alpine)—See Electrical Section.		
D97	1224824		Housing—Temperature transmitter	1	} (When Heater not fitted) When heater fitted
	1224826		Housing—Temperature transmitter	1	
	1224827		"T" piece—Water return	1	
B98	6100204	C3AZ-6507-A	INLET (Intake) VALVE—Standard stem dia., .3420"	8	
	6100205	C3AZ-6507-B	Inlet (Intake) Valve—Stem size .003", dia .3449"	8	
	6100206	C3AZ-6507-C	Inlet (Intake) Valve—Stem size .015", dia .3569"	8	
	6100207	C3AZ-6507-D	Inlet (Intake) Valve—Stem size .030", dia .3719"	8	
B99	6100200	C3AZ-6505-J	EXHAUST VALVE—Standard, stem dia .3410"	8	
	6100201	C3AZ-6505-K	Exhaust Valve—Stem size .003", dia .3439"	8	
	6100202	C3AZ-6505-L	Exhaust Valve—Stem size .015", dia .3559"	8	
	6100203	C3AZ-6505-M	Exhaust Valve—Stem size .030", dia .3709"	8	
B100	6100208	B6A-6513-A	Valve Spring (7 coils—2.09" free length)	16	
B101	6100436	C3AZ-6571-B	Seal—Valve guide and valve stem	16	
B102	6100209	C3AZ-6514-B	Retainer—Valve spring	16	
	6100499	B3Q-6515-A	Spacer—Valve spring (1.36" O.D. x .995"/1.005" I.D. .030" thick)	A/R	
B103	6100210	7HA-6518-A	Cotter—Valves	32	

ENGINE (Motor)

Plate Ref.	Rootes Part Number	Ford Part Number	DESCRIPTION	No. per Veh.	REMARKS
	6100211	C2OZ-6524-A	Baffle—Valve push rod valley	1	
B104	6100199	C2OZ-6500-A	TAPPET—Hydraulic (.8740/.8745" O.D.—2" long)	16	
B105	6100213	C2OZ-6565-B	Push rod (6.825" long)	16	
B106	6100212	C2OZ-6564-A	ROCKER ARM	16	
B107	6100500	C2OZ-6A528-A	Fulcrum seat—Rocker arm	16	
B108	6100670	C2DZ-6A529-A	Nut—Rocker stud	16	
D109	6100443	C4DZ-6582-A	Rocker cover, O/S (R.H.) } Chrome	1	
D110	6100444	C4DZ-6582-B	Rocker cover, N/S (L.H.) }	1	
	6100136	C2OZ-6584-A	Gasket—Rocker cover (.17" thick)	2	
D111	1229842		Cap—Oil filler (chrome)	1	
A112	6100282	C4JE-8501-A	WATER PUMP UNIT	1	
A113	6100285	C4OZ-8530-A	Shaft and bearing	1	
A114	6100286	B9ME-8553-A	Hub—Pulley	1	
A115	6100287	B2AZ-8564-A	Seal	1	
A116	6100284	C4OZ-8512-B	Impellor	1	
A117	6100146	C2OZ-8507-B	Gasket—Housing	1	
	6100290	C2OZ-8597-A	By-pass hose	1	
A118	6100288	C2UZ-8575-B	THERMOSTAT—160°F.	1	
A119	6100289	C3OZ-8594-B	WATER (Top) OUTLET PIPE	1	
A120	6100145	C3OZ-8255-A	Gasket—Water outlet pipe to cylinder head	1	
MANIFOLDS					
A121	6100247	C4OZ-9424-A	INDUCTION MANIFOLD	1	} Not supplied separately
B122		C2OZ-9441-A	Gasket—Induction manifold to cylinder heads	2	
A123		C2OZ-9A424-A	Seal—Rear } Induction Manifold	1	
A124		C2OZ-9A425-A	Seal—Front } to cylinder block	1	
D125	1224642		EXHAUST MANIFOLD, O/S (R.H.)	1	
D126	6100043	C2OE-9A714-A	Insert—Carb. thermostat choke control	1	
D127	6100044	C4OE-9C786	Adaptor—Thermostatic choke control inlet tube	1	
B128	6100296	C3DZ-9431-A	EXHAUST MANIFOLD, N/S (L.H.)	1	
B129	6100040	C2OZ-9A447-A	Locking tab—Exhaust manifold mounting bolt	8	
B130	6100602	304722-S2	Bolt, 1/2" x 1 1/4" long } Exhaust manifolds	8	
B131	6100603	304830-S2	Bolt, 1/2" x 2" long } to cylinder heads	8	
CARBURETTOR					
	6100604	88471-S	Carburettor—See Carburettor section.		
	6100358	C3OE-9C525-B	Stud, 3/8" x 2 1/4"—Carburettor to intake manifold... ..	4	
A132	6100298	C2OZ-9447-C	Connector: } Carburettor to Induction	1	
A133	6100457	C2AZ-9A589-H	Gasket } Manifold Spacer	1	
A134	6100298	C2OZ-9447-C	Spacer—Carburettor to intake manifold	1	
D135	6100025	C3AZ-9654-B	Gasket—Spacer to intake manifold	1	
D136	6100036	C4OE-9819-A	Gasket—Carburettor to air cleaner	1	
			Tube—Choke thermostat housing to o/s (R.H.) exhaust manifold	1	
D137	6100037	C4OE-9865-A	Insulating sleeve—Thermo choke tube	1	
D138	6100038	357940-S	Olive } Tube to choke	1	
D139	6100618	357980-S	Nut } thermostat housing... ..	1	

ENGINE (Motor)

Plate Ref.	Rootes Part Number	Ford Part Number	DESCRIPTION	No. per Veh.	REMARKS	
AIR CLEANER						
D140	1224830		AIR CLEANER 1		} Not supplied	
D141			Bottom plate 1			
D142			Top plate 1			
D143	5042656		Element seating gasket 2			
D144	5042655		Element 1			
D145	1224657		Stud—Air cleaner 1			
D146	9550040		Nut, 1/2" U.N.C. } Air cleaner 1			
D147	9067015		Washer, 1/2" plain } to stud 1			
	1224805		Hose—Engine (Motor) breather to air cleaner 1			
	9782141		Clip—Hose 2			
D148	1224893		Rubber tube—Air cleaner to choke control breather 1			
D149	1224892		Breather tube (Bundy 17 1/2" long)—Thermo choke adaptor to Air Cleaner 1			
			Adaptor—Thermo choke—See Exhaust Manifold.			
DYNAMO (Generator)						
			DYNAMO (Generator) —See Electrical Section 1			Up to B9471618 From B9471619
	6100021	C4JZ-10039-A	Bracket—Dynamo (Generator) mounting 1			
	6100698	C4JZ-10039-B	Bracket—Dynamo (Generator) mounting 1			
	1229843		Arm—Dynamo (Generator) adjusting, R.H.D. 1			
	6100022	C4JZ-10145-A	Arm—Dynamo (Generator) adjusting, L.H.D. 1			
	6100620	304781-S8	Bolt, 3/8" x 1 1/2" Hex. hd. } 1			
	6100621	20410-S8	Bolt, 3/8" x 1 1/2" Hex. hd. } Dynamo (Generator) 1			
	6100581	34808-S8	Lockwasher, 3/8" } to mounting bracket 2			
	6100623	33801-S8	Nut, 3/8" Hex. } 2			
	6100594	20388-S8	Bolt, 3/4" x 1" } Adjusting 1			
	6100566	34807-S8	Lockwasher, 3/4" } arm to 1			
	6100588	44727-S8	Washer 3/4" plain } Dynamo (Generator) 1			
	6100597	20386-S8	Bolt, 3/8" x 1" Hex. } Adjusting 1			
	6100646	34806-S8	Lockwasher, 3/8" } arm to 1			
	6100599	44722-S8	Washer, 3/8" plain } block 1			
	6100619	43003-S8	Bolt, 3/4" x 1-62", Hex. hd.—Self locking—Dipstick tube and Dynamo (Generator) mounting bracket to cylinder head 3			
STARTER						
			STARTER —See Electrical Section			
	6100594	20388-S8	Bolt, 3/4" x 1" } Starter 2			
	6100595	34807-S8	Lockwasher, 3/4" } to clutch housing 2			
FAN						
A150	6100041	C4JZ-8600-B	FAN BLADE 1			
A151	6100033	C4JZ-8509-A	Fan pulley 1			
	6100593	20347-S	Bolt, 3/8" x 3/4"—Pulley to hub 4			
	1229823		Belt—Fan and Dynamo (Generator), R.H.D. 1			
D152	6100024	C2OZ-8620-E	Belt—Fan and Dynamo (Generator), L.H.D. 1			
DISTRIBUTOR						
			DISTRIBUTOR —See Electrical Section			
D153	1224812		Suction pipe—Distributor auto advance 1			

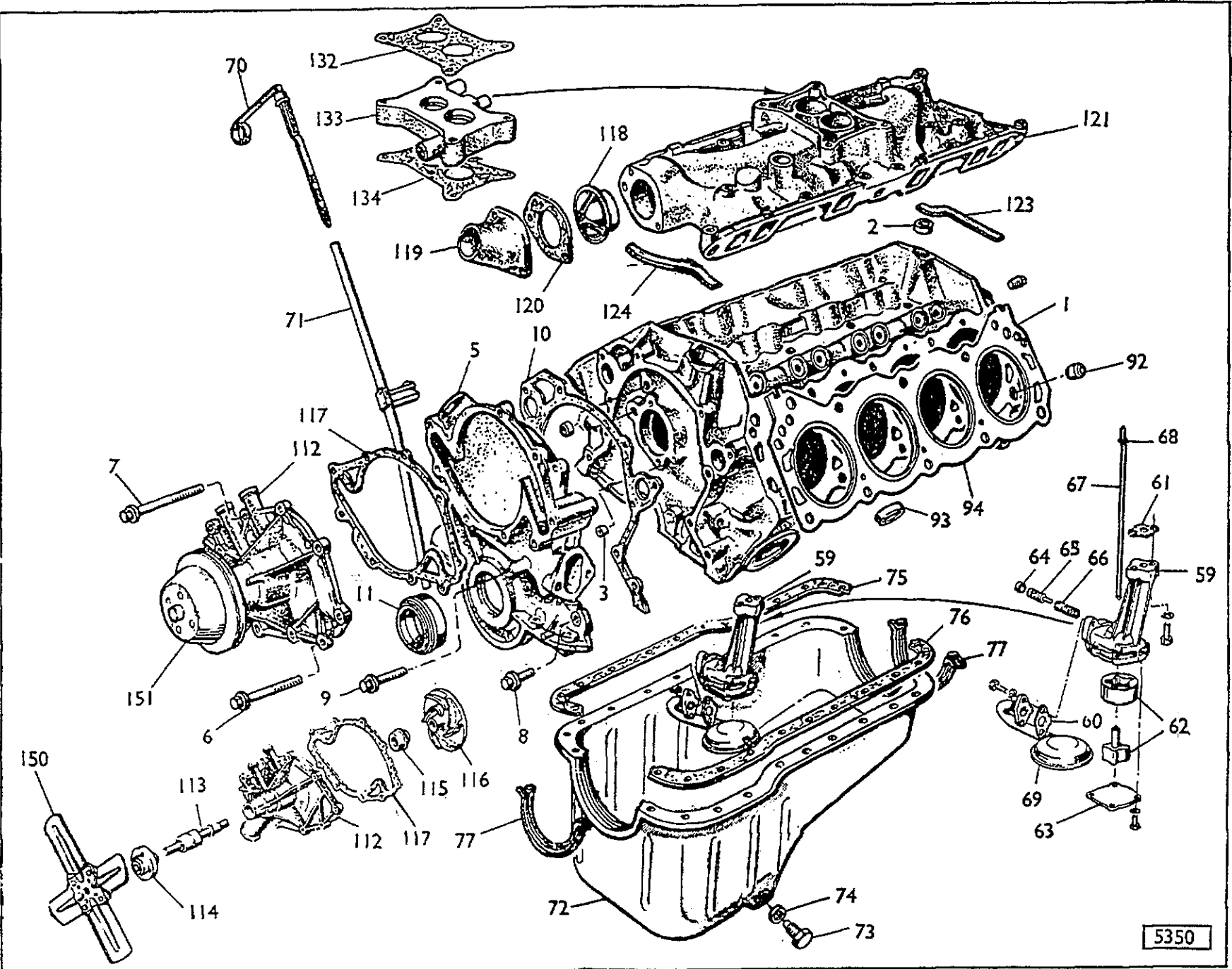
ENGINE (Motor)

Plate Ref.	Rootes Part Number	Ford Part Number	DESCRIPTION	No. per Veh.	REMARKS
			IGNITION COIL IGNITION COIL—See Electrical Section		
			PETROL (Fuel) PUMP PETROL (Fuel) PUMP MOUNTINGS—See Petrol (Fuel) Pump Section PETROL (Fuel) PUMP—See Petrol (Fuel) Pump Section PETROL (Fuel) PIPES—See Petrol (Fuel) System Section		
			PETROL (Fuel) FILTER PETROL (Fuel) FILTER—See Petrol (Fuel) System Section		
			OIL GAUGE OIL GAUGE—See Electrical Section.		
	1229801		Nylon pipe c/w fittings—Oil gauge to Engine (Motor) ...	1	R.H.D.
	1224759		Nylon pipe c/w fittings—Oil gauge to Engine (Motor) ...	1	L.H.D.
	9118550		Grommet—Oil gauge pipe ...	1	
	9151205		Adaptor—Pipe to block ...	1	
			SPARKING PLUGS SPARKING PLUG ... } See Electrical Section High Tension (Ignition) cable } Section		
			GEARBOX (TRANSMISSION) REAR SUPPORT Transmission Rear Support—See Gearbox (Transmission) Section		
	6100161	C4IZ-6404-B	ENGINE (Motor) NAME PLATE Engine name plate ...	1	
			CRANKCASE VENTILATION		
D154	6100538	C3DE-6A664-A	Hose—Crankcase ventilation tube ...	1	
D155	6100669	97331-S	Clips—Hose ...	2	
D156	6100215	C3TZ-6A666-A	Valve assembly—Crankcase ventilation regulator ...	1	
D157	6100667	378754	Adaptor } Ventilation ...	1	
D158	6100668	378766-S	Adaptor } regulator ...	1	
			ENGINE (Motor) MOUNTINGS		
D159	6100546	C3AZ-6038-G	Support rubber, O/S (R.H.) } Front engine ...	1	
	6100547	C3AZ-6038-H	Support rubber, N/S (L.H.) } (Motor) mounting ...	1	
D160	6100371	C3DZ-6CO38-A	Heat shield ...	2	
	6100555	20370-S8	Bolt, 5/8" x 1" long hex. hd. } Support rubbers ...	4	
	6100554	34783-S7	Washer, 1/8" spring, lock } to Engine (Motor) ...	4	
	6100556	373596-S100	Washer, 1/2" plain } Support rubbers ...	2	
	6100557	376542-S100	Nut, 1/2" lock—Hex. } to brackets ...	2	
D161	1224610		Bracket, O/S (R.H.) } Engine (Motor) ...	1	
	1224611		Bracket, N/S (L.H.) } mounting ...	1	
	19106241		Bolt, 3/4" U.N.F. x 3" } Mounting brackets ...	6	
	9067041		Washer, 1/2" plain } to ...	6	
	9664243		Washer, 1/2" shakeproof } side member ...	6	

ENGINE (Motor)

Plate Ref.	Rootes Part Number	Ford Part Number	DESCRIPTION	No. per Veh.	REMARKS
	6100132	C20Z-6008-C	<p style="text-align: center;">GASKET SETS</p> <p>COMPLETE ENGINE (Motor) OVERHAUL GASKET SET Note. The above consists of Front cylinder, Cylinder head, Rocker cover, Oil tube flange, Oil pump to block, Sump, Vent tube, Water outlet, Water pump, Fuel pump and Inlet manifold gaskets. Also included are Valve stem, Crankshaft, Sump and Manifold Seals.</p>	1	
	6100153	C20Z-6079-C	<p>VALVE GRIND GASKET SET Note. The above consists of Cylinder head, Rocker cover, Vent tube, Water outlet and Manifold gaskets. Also included are Valve Stem seals and Inlet Manifold seals.</p>	1	

ENGINE (Motor)



5350

PLATE A -- SECTION AF

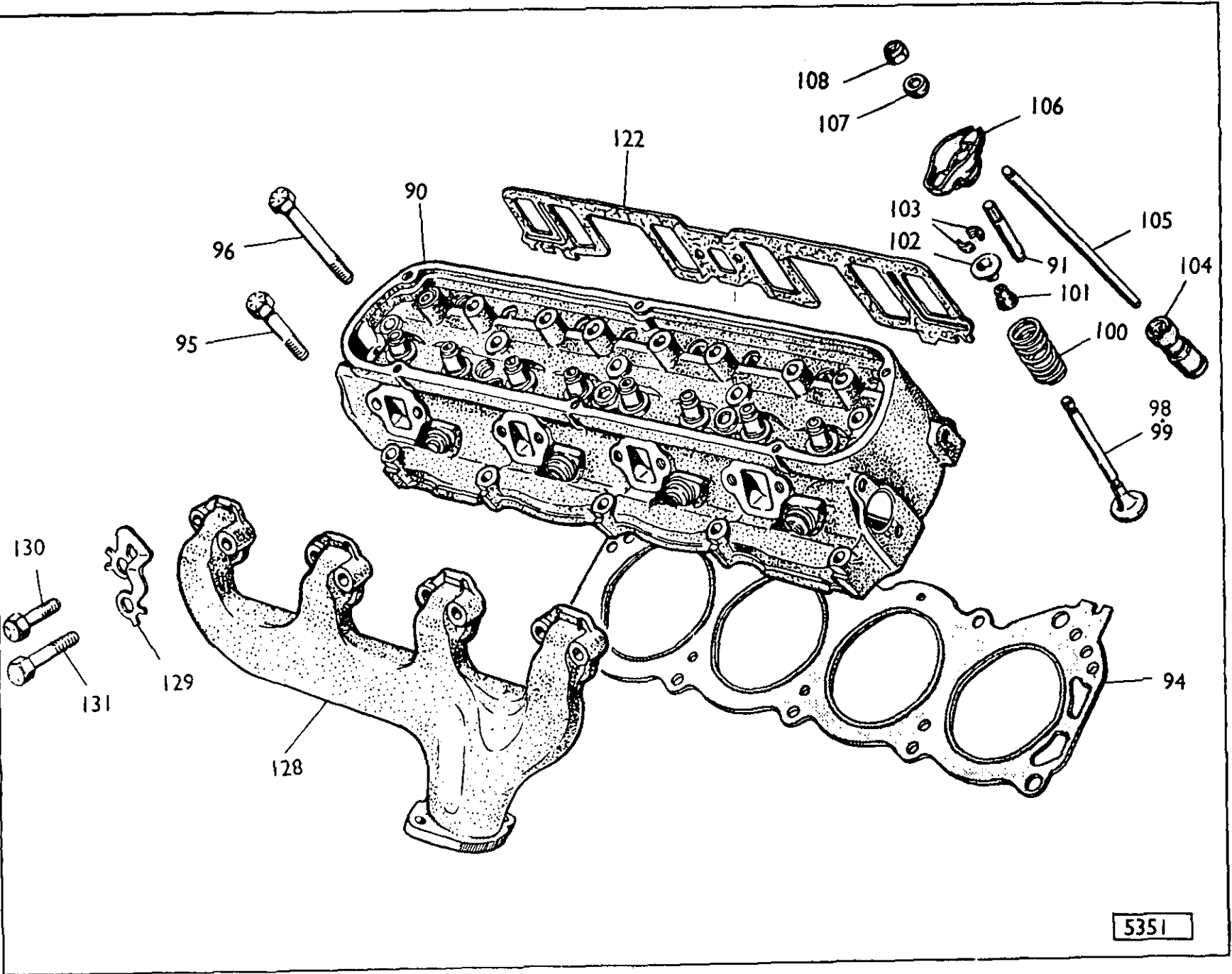


PLATE B - SECTION AF

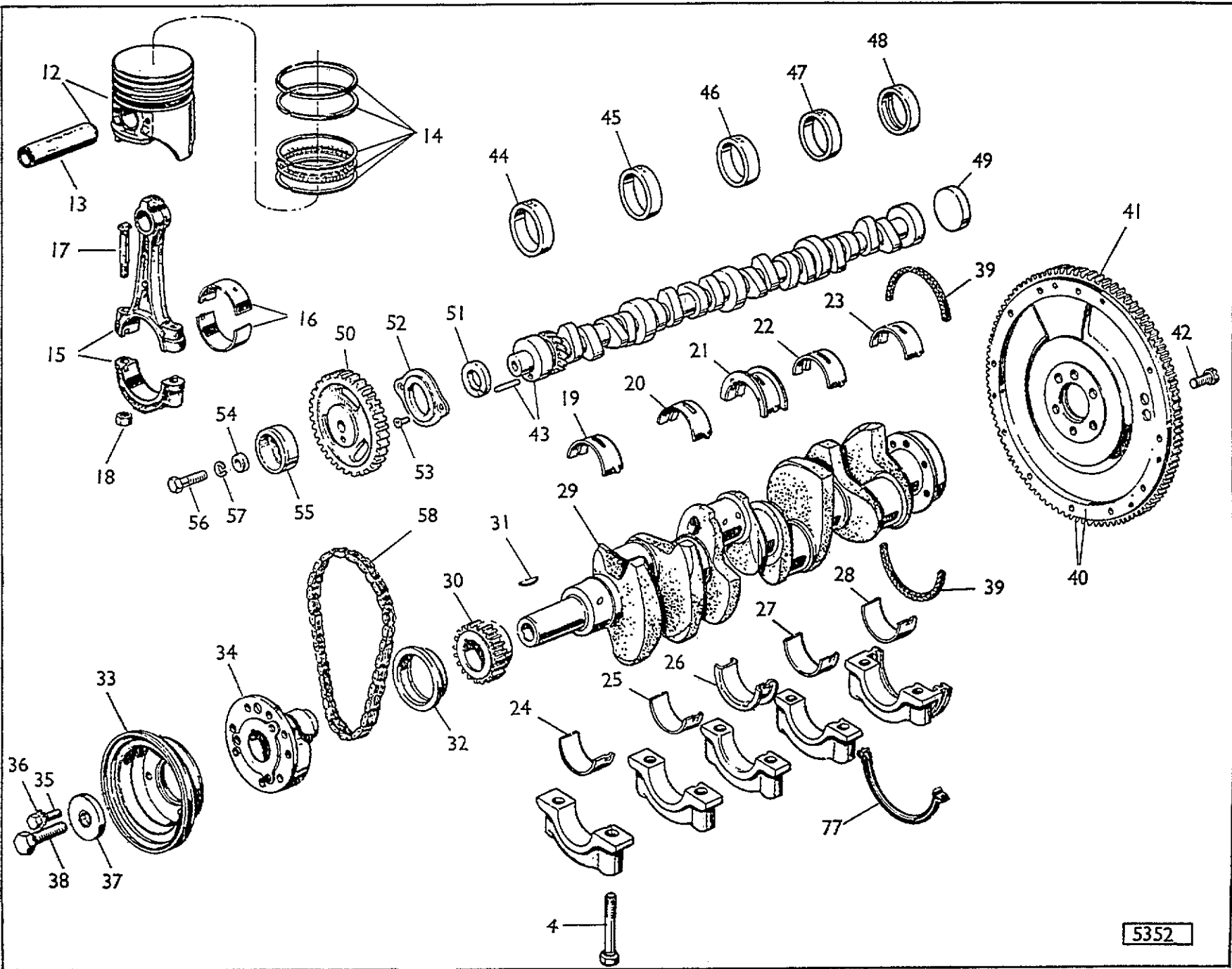


PLATE C - SECTION AF

ENGINE (Motor)

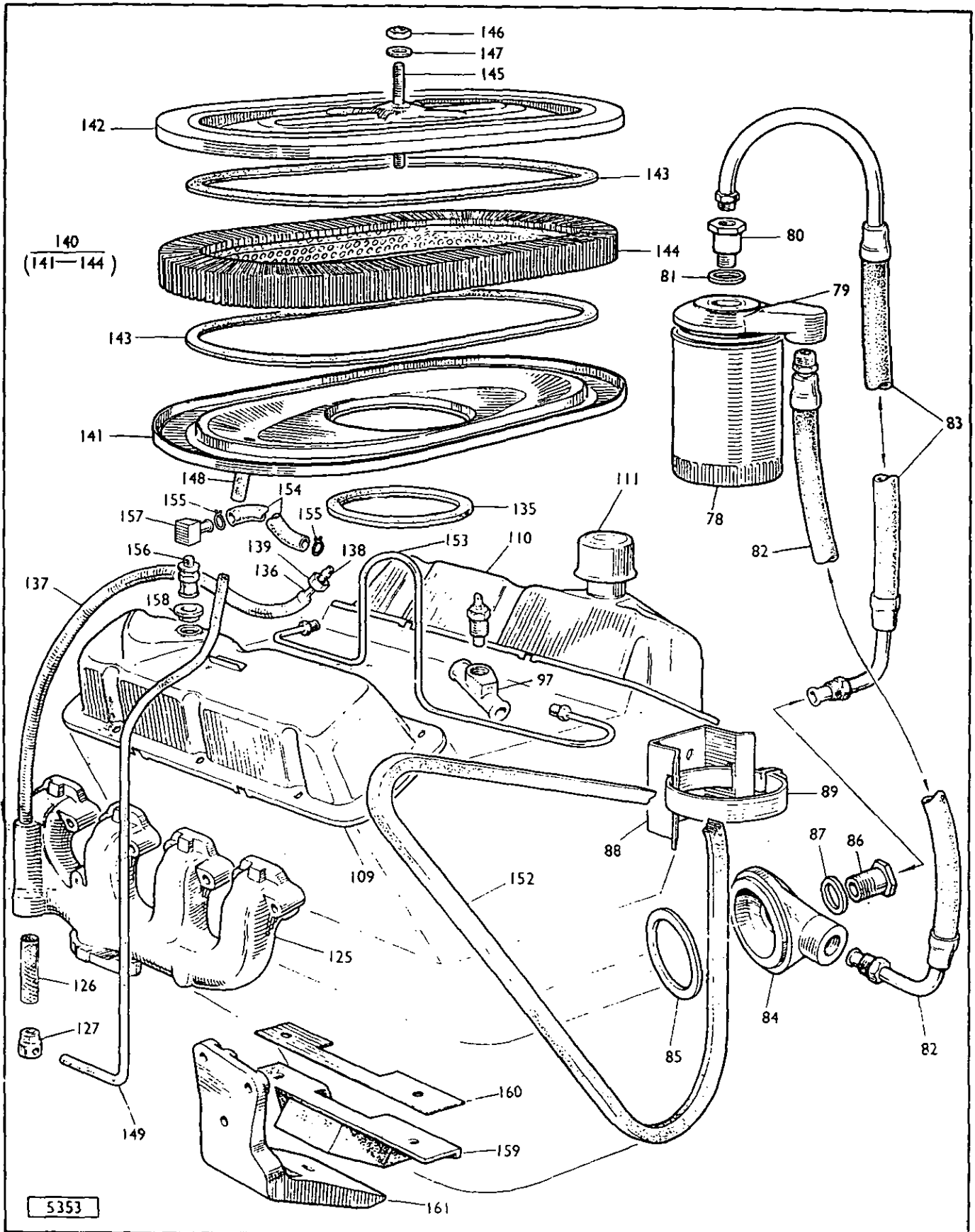


PLATE D - SECTION AF